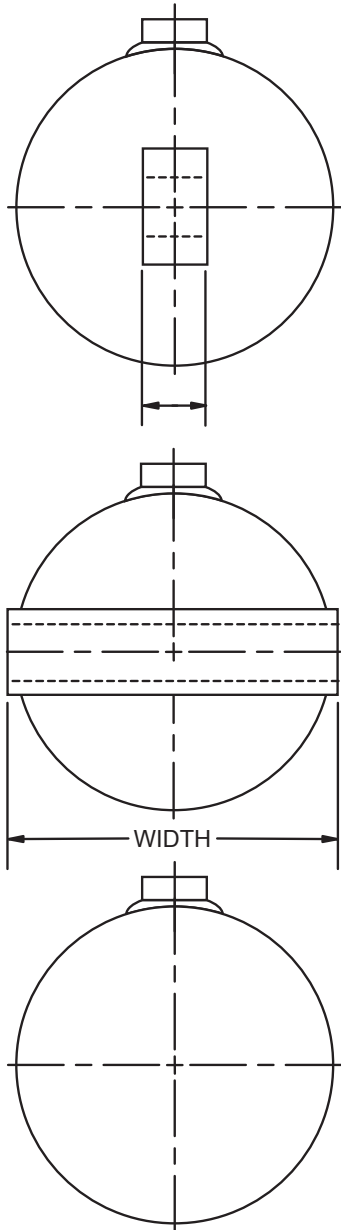
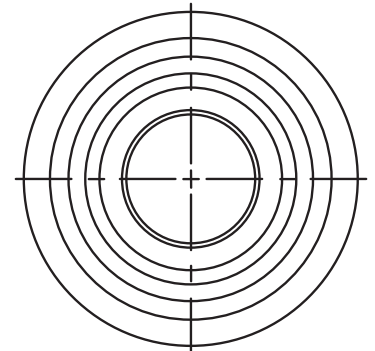
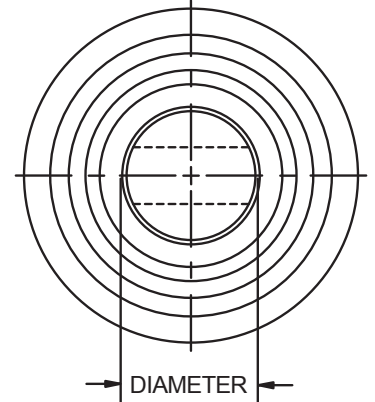
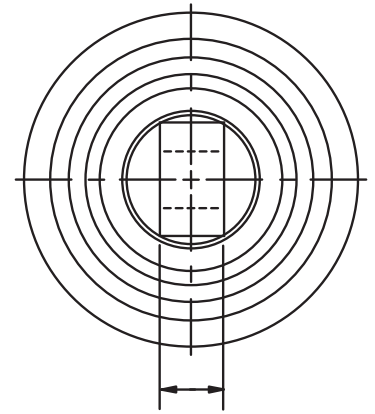
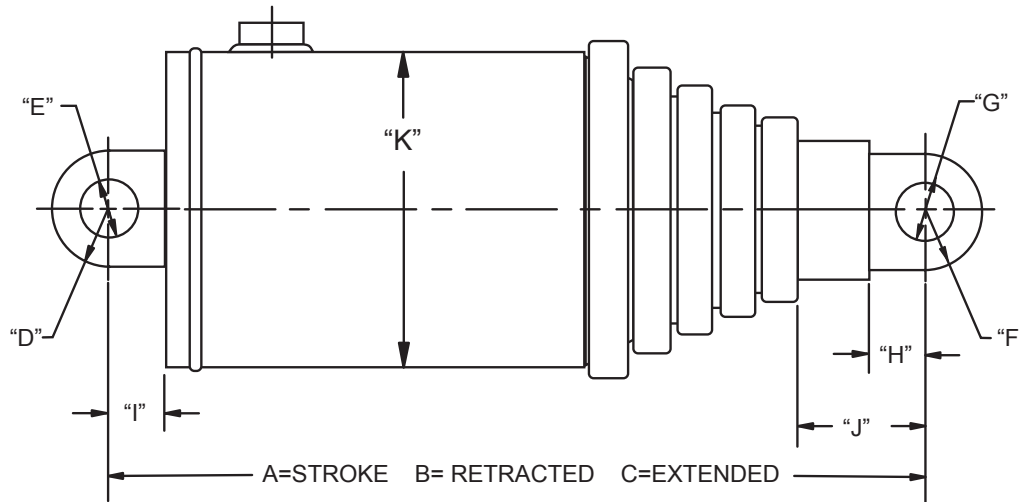


# CUSTOM BUILT TELESCOPIC CYLINDER APPLICATION WORKSHEET



DRAW SPECIAL  
MOUNT BASE



DRAW SPECIAL  
MOUNT PLUNGER

Cylinder application \_\_\_\_\_

Single or Double-acting \_\_\_\_\_ Fluid type \_\_\_\_\_

O.D. largest moving sleeve \_\_\_\_\_ System operating pressure \_\_\_\_\_

Number of moving sleeves \_\_\_\_\_ System flow in G.P.M. \_\_\_\_\_

Chrome or non-chrome sleeves \_\_\_\_\_ System operating temp. \_\_\_\_\_

Any side or eccentric loading \_\_\_\_\_ Load holding requirements \_\_\_\_\_

Mounting conditions Vert.  Horz.  Incline angle \_\_\_\_\_

A. Total stroke \_\_\_\_\_ G. Plunger mount pin dia. \_\_\_\_\_

B. Retracted length \_\_\_\_\_ H. Plunger mount length \_\_\_\_\_

C. Extended length \_\_\_\_\_ I. Base mount length \_\_\_\_\_

D. Base mount radius \_\_\_\_\_ J. Packing nut to pin \_\_\_\_\_

E. Base mount pin diameter \_\_\_\_\_ K. O.D. of main barrel \_\_\_\_\_

F. Plunger mount radius \_\_\_\_\_

Extend port size & type \_\_\_\_\_ Extend port location \_\_\_\_\_

Retract port size & type \_\_\_\_\_ Retract port location \_\_\_\_\_

Special features or comments \_\_\_\_\_

Cylinder quote quantity \_\_\_\_\_

Company name \_\_\_\_\_ Your name \_\_\_\_\_

Phone number \_\_\_\_\_ Fax number \_\_\_\_\_

Email \_\_\_\_\_