

DATE

/ /

Need help selecting the right cylinder for your application?

Just fill out as much information about your application and contact HYDRAULIC CYLINDERS INC.®.

PHONE: 1-888-771-1894 | **FAX:** 1-888-693-8681 | **EMAIL:** sales@hydrauliccylindersinc.com | **WEB:** HydraulicCylindersInc.com

CUSTOMER CONTACT

HOW DO YOU WANT TO BE CONTACTED?

PHONE FAX EMAIL

DO YOU HAVE A BASIC CYLINDER DESCRIPTION?

BORE STROKE MOUNT OPTIONS

MODIFICATION

CYLINDER OPERATING PRESSURE: PNEUMATIC PSI HYDRAULIC PSI (NON-STOCK)

AMBIENT TEMPERATURE: NORMAL INDOOR INDUSTRIAL COLD: _____ °F HOT: _____ °F

CYLINDER VELOCITY: _____ INCHES/SECOND _____ CYCLES PER MINUTE:

CYLINDER ORIENTATION: HORIZONTAL VERTICAL: ROD UP ROD DOWN ANGLE (DEGREES)

DESCRIBE THE LOAD (INCLUDING WEIGHT). IS THE LOAD GUIDED? HOW IS THE CYLINDER ROD ATTACHED TO THE LOAD? ANY SIDE LOAD?

APPLICATION:

HYDRAULIC CYLINDERS INC.®

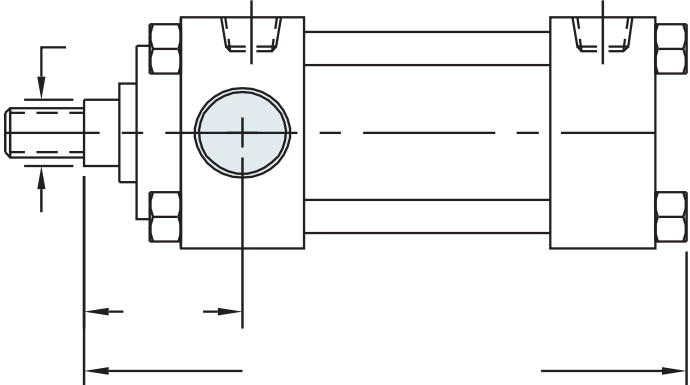
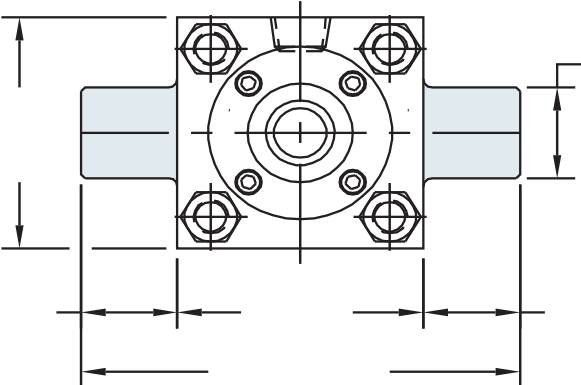
SERIES 'M' DIMENSIONS | BASIC CYLINDERS

BORE	ROD DIA. (MM)	MAX PSI RATING	E	A	B	C	EE		F	G	J	K	KK	R	RD	V	Y	ADD TO STROKE		
							NPTF	SAE										LB	P	ZB
1.50	0.625	1500	2.000	0.750	1.124	0.375	3/8	#6	0.375	1.500	1.000	0.250		1.430	SQ	0.250	1.875	3.625	2.375	4.875
	1.000	1500		1.125	1.499	0.500									SQ	0.500	2.250			5.250
2.00	0.625	1500	2.500	0.750	1.124	0.375	3/8	#6	0.375	1.500	1.000	0.313		1.840	2.000	0.250	1.875	3.625	2.375	4.938
	1.000	1500		1.125	1.499	0.500									SQ	0.500	2.250			5.313
	1.375	1500		1.625	1.999	0.625									SQ	0.625	2.500			5.563
2.50	0.625	1000	3.000	0.750	1.124	0.375	3/8	#6	0.375	1.500	1.000	0.313		2.190	2.000	0.250	1.875	3.750	2.500	5.063
	1.000	1500		1.125	1.499	0.500									SQ	0.500	2.250			5.438
	1.375	1500		1.625	1.999	0.625									SQ	0.625	2.500			5.688
	1.750	1500		2.000	2.374	0.750									SQ	0.750	2.750			5.938
3.25	1.000	1500	3.750	1.125	1.499	0.500	1/2	#10	0.625	1.750	1.250	0.375		2.760	2.750	0.250	2.375	4.250	2.750	6.000
	1.375	1500		1.625	1.999	0.625									SQ	0.375	2.625			6.250
	1.750	1500		2.000	2.374	0.750									SQ	0.500	2.875			6.500
	2.000	1500		2.250	2.624	0.875									SQ	0.500	3.000			6.625
4.00	1.000	1000	4.500	1.125	1.499	0.500	1/2	#10	0.625	1.750	1.250	0.375		3.320	2.750	0.250	2.375	4.250	2.750	6.000
	1.375	1000		1.625	1.999	0.625									3.500	0.375	2.625			6.250
	1.750	1000		2.000	2.374	0.750									3.500	0.500	2.875			6.500
	2.000	1000		2.250	2.624	0.875									SQ	0.500	3.000			6.625
	2.500	1000		3.000	3.124	1.000									SQ	0.625	3.250			6.875
5.00	1.000	750	5.500	1.125	1.499	0.500	1/2	#10	0.625	1.750	1.250	0.438		4.100	2.750	0.250	2.375	4.500	3.000	6.313
	1.375	1000		1.625	1.999	0.625									3.500	0.375	2.625			6.563
	1.750	1000		2.000	2.374	0.750									3.500	0.500	2.875			6.813
	2.000	1000		2.250	2.624	0.875									4.250	0.500	3.000			6.983
	2.500	1000		3.000	3.124	1.000									SQ	0.625	3.250			7.188
	3.000	1000		3.500	3.749	1.000									SQ	0.625	3.250			7.188
	3.500	1000		3.500	4.249	1.000									SQ	0.625	3.250			7.188
6.00	1.375	750	6.500	1.625	1.999	0.625	3/4	#12	0.750	2.000	1.500	0.438		4.880	3.500	0.250	2.750	5.000	3.250	7.063
	1.750	750		2.000	2.374	0.750									3.875	0.375	3.000			7.313
	2.000	750		2.250	2.624	0.875									4.250	0.375	3.125			7.438
	2.500	750		3.000	3.124	1.000									4.625	0.500	3.375			7.688
	3.000	750		3.500	3.749	1.000									5.250	0.500	3.375			7.688
	3.500	750		3.500	4.249	1.000									5.750	0.500	3.375			7.688
	4.000	750		4.000	4.749	1.000									SQ	0.500	3.375			7.688
8.00	1.375	500	8.500	1.625	1.999	0.625	3/4	#12	0.750	2.000	1.500	0.563		6.440	3.500	0.250	2.750	5.125	3.375	7.313
	1.750	500		2.000	2.374	0.750									3.875	0.375	3.000			7.563
	2.000	675		2.250	2.624	0.875									4.250	0.375	3.125			7.688
	2.500	675		3.000	3.124	1.000									4.625	0.500	3.375			7.938
	3.000	675		3.500	3.749	1.000									5.250	0.500	3.375			7.938
	3.500	675		3.500	4.249	1.000									5.750	0.500	3.375			7.938
	4.000	675		4.000	4.749	1.000									6.500	0.500	3.375			7.938
	4.500	675		4.500	5.249	1.000									7.250	0.500	3.375			7.938
	5.000	675		5.000	5.749	1.000									7.500	0.500	3.375			7.938
	5.500	675		5.500	6.249	1.000									7.500	0.500	3.375			7.938

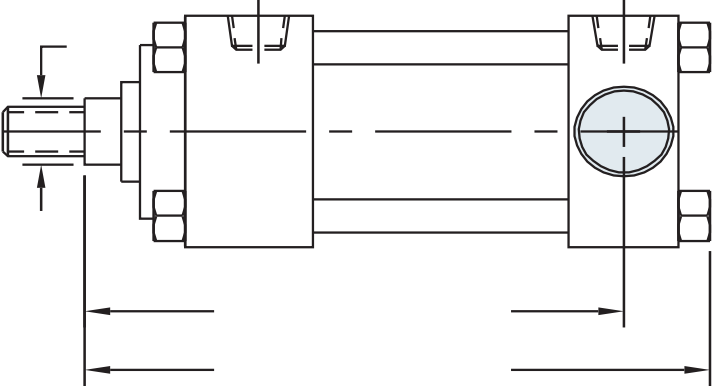
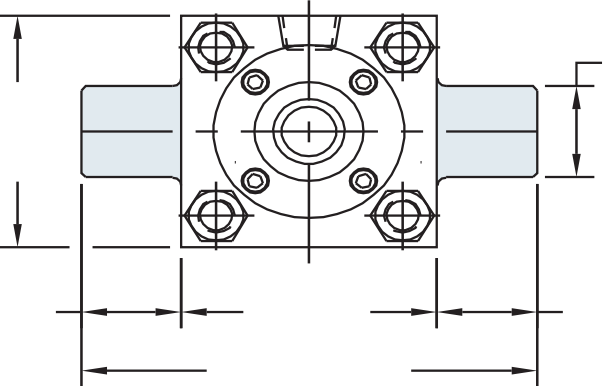
SEE ROD END DETAIL CHART ON PREVIOUS PAGE

HYDRAULIC CYLINDERS INC.®

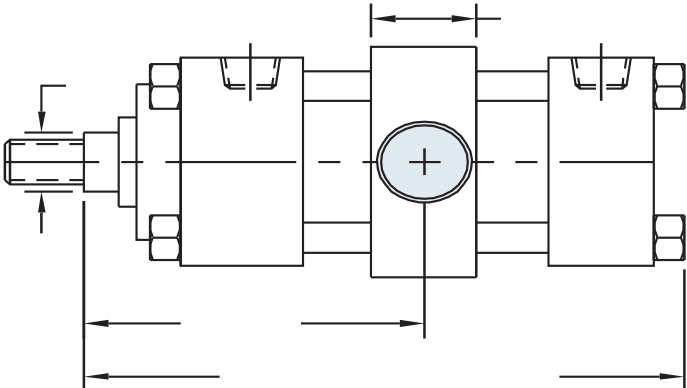
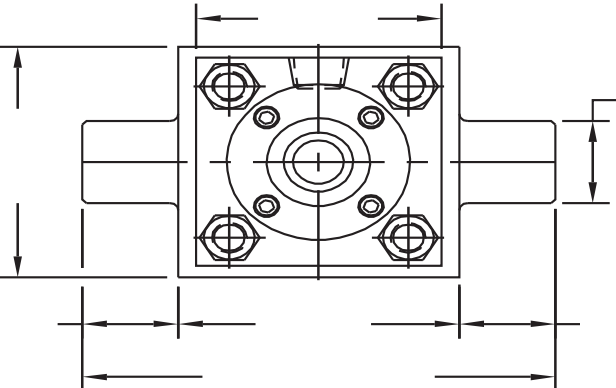
MT1: HEAD TRUNNION



MT2: CAP TRUNNION

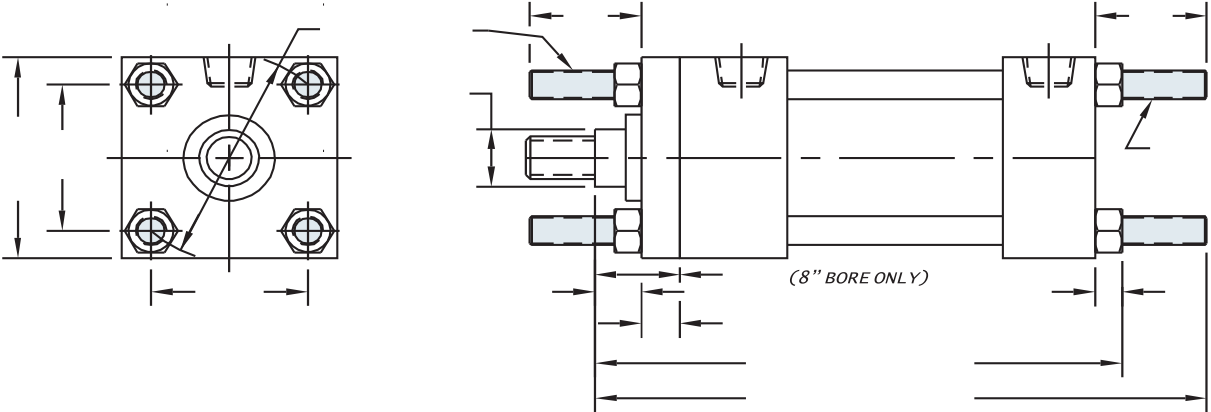


MT4: INTERMEDIATE TRUNNION

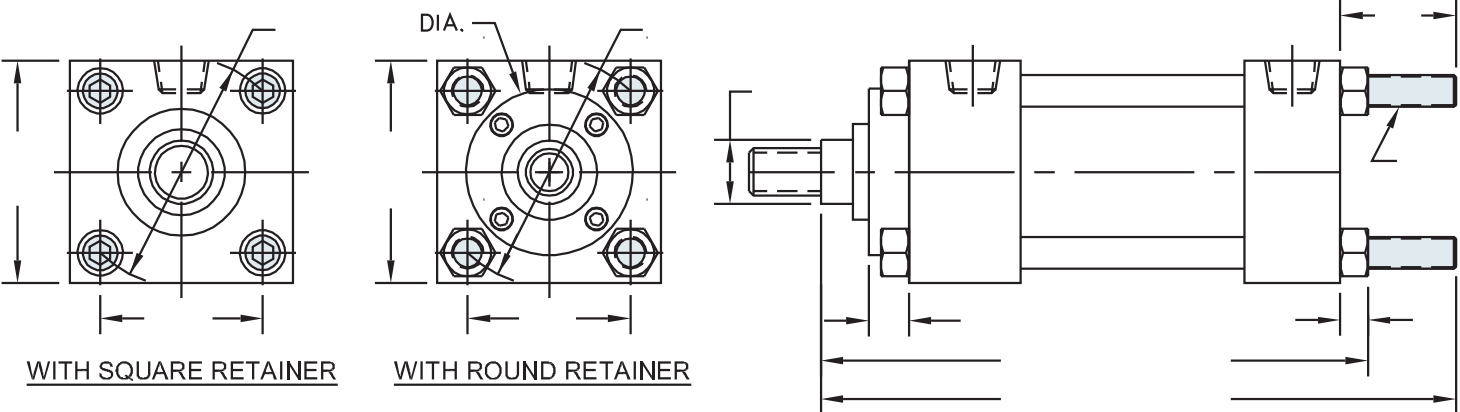


HYDRAULIC CYLINDERS INC.®

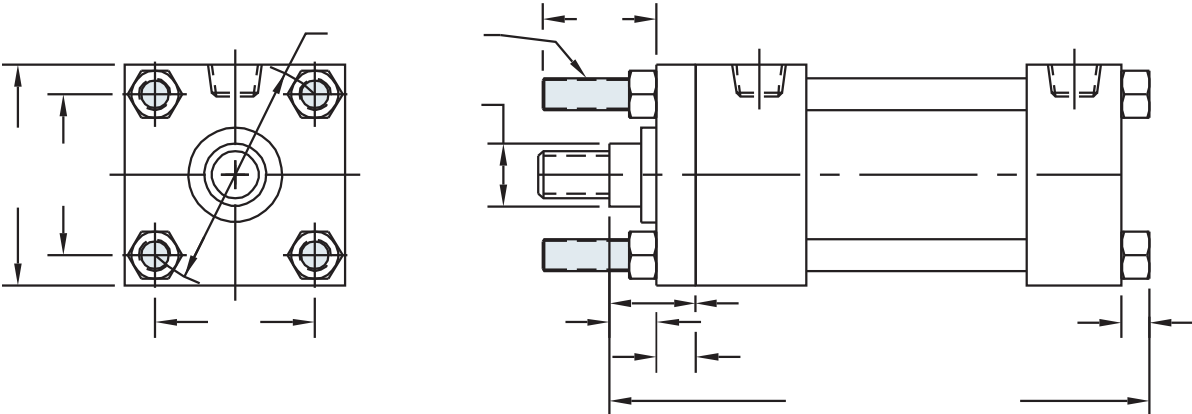
MX1: ENTENDED TIE-RODS - HEAD & CAP



MX2: EXTENDED TIE-RODS - CAP END

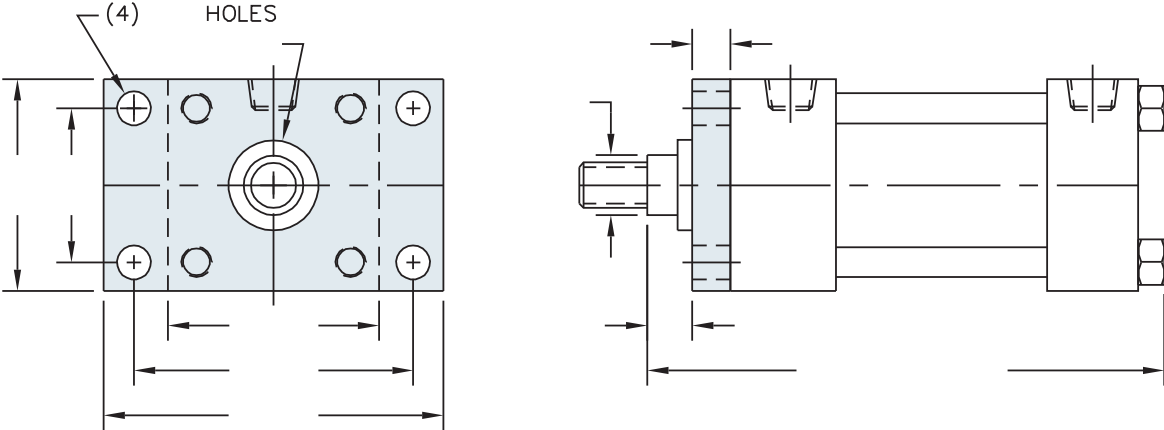


MX3: EXTENDED TIE-RODS - HEAD END

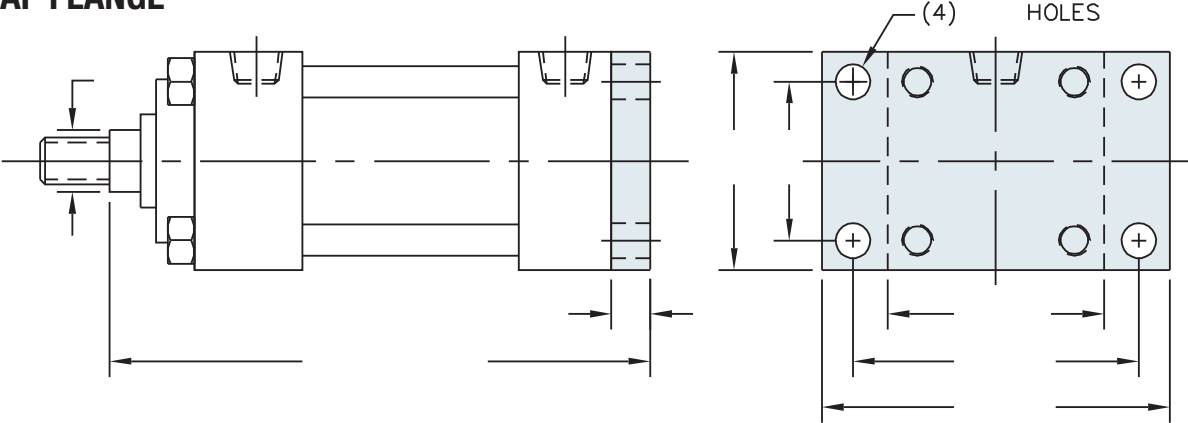


HYDRAULIC CYLINDERS INC.®

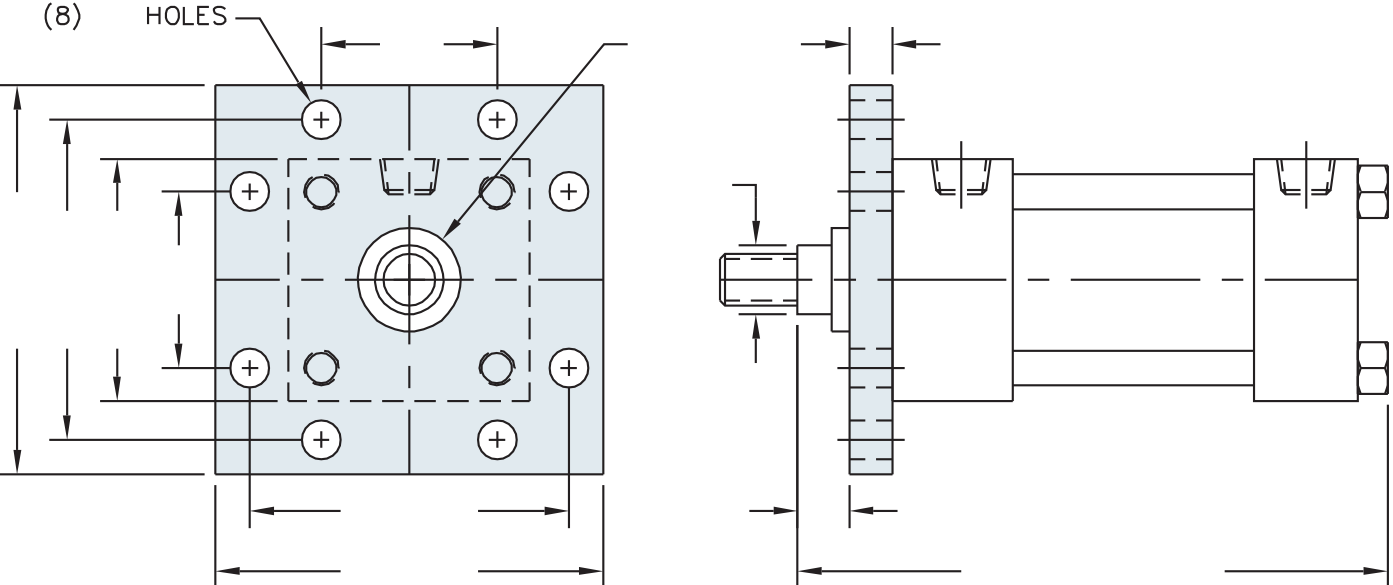
MF1: HEAD FLANGE



MF2: CAP FLANGE

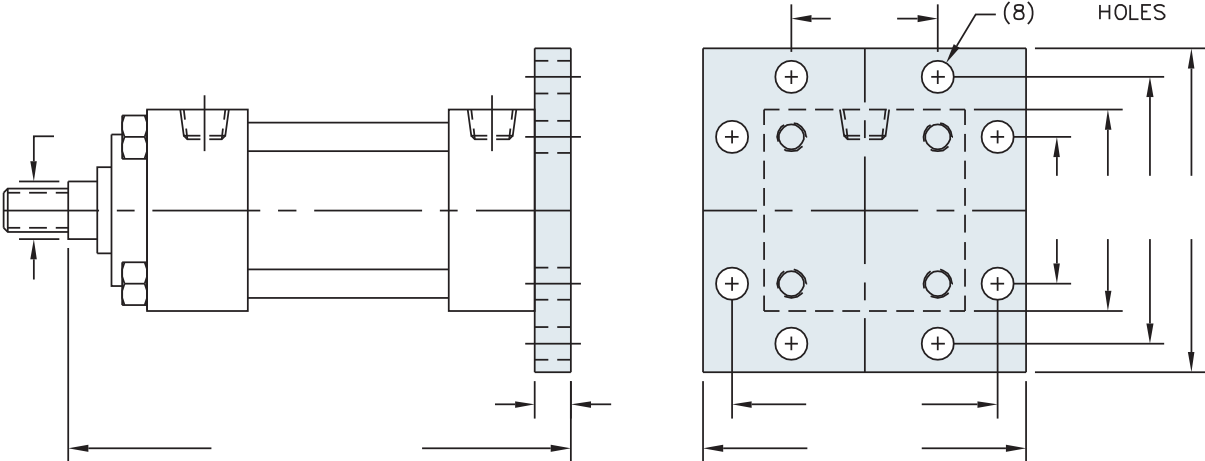


MF5: HEAD SQUARE FLANGE

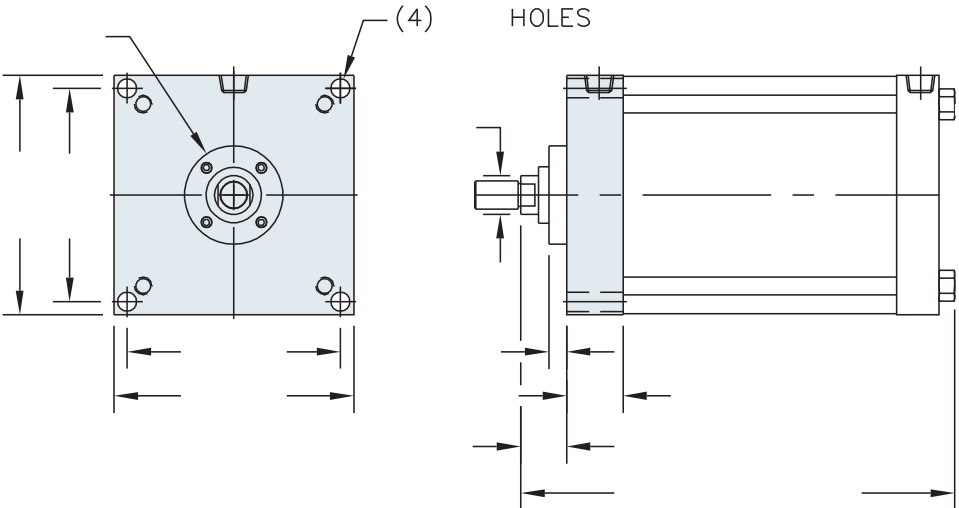


HYDRAULIC CYLINDERS INC.®

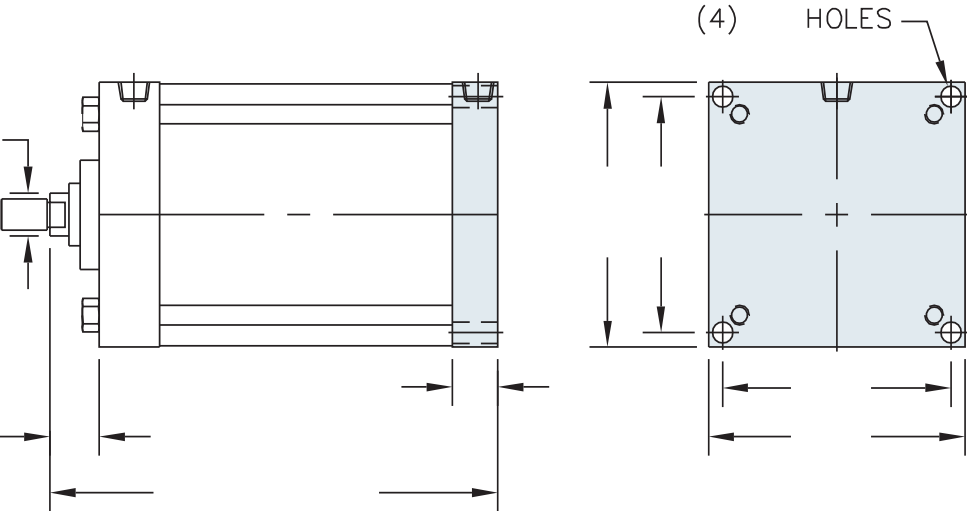
MF6: CAP SQUARE FLANGE



ME3: HEAD SQUARE MOUNTING HOLES

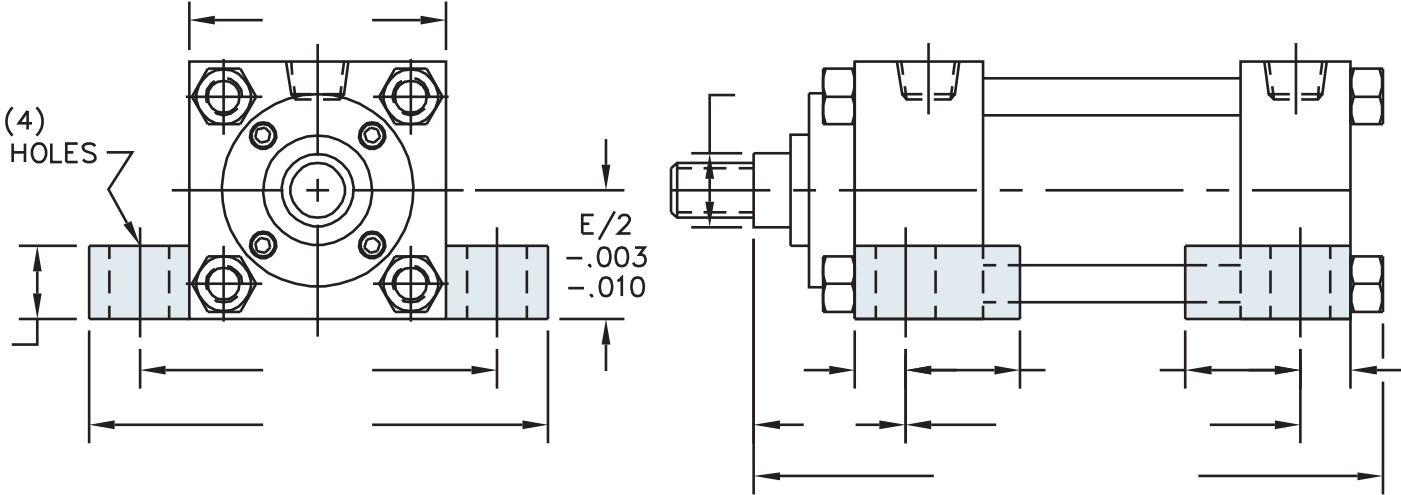


ME4: CAP SQUARE MOUNTING HOLES

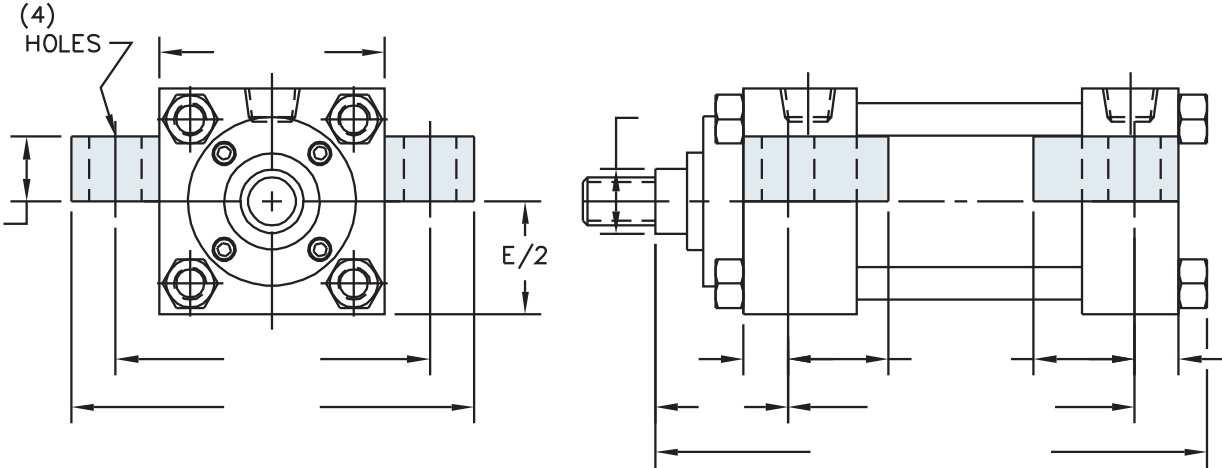


HYDRAULIC CYLINDERS INC.®

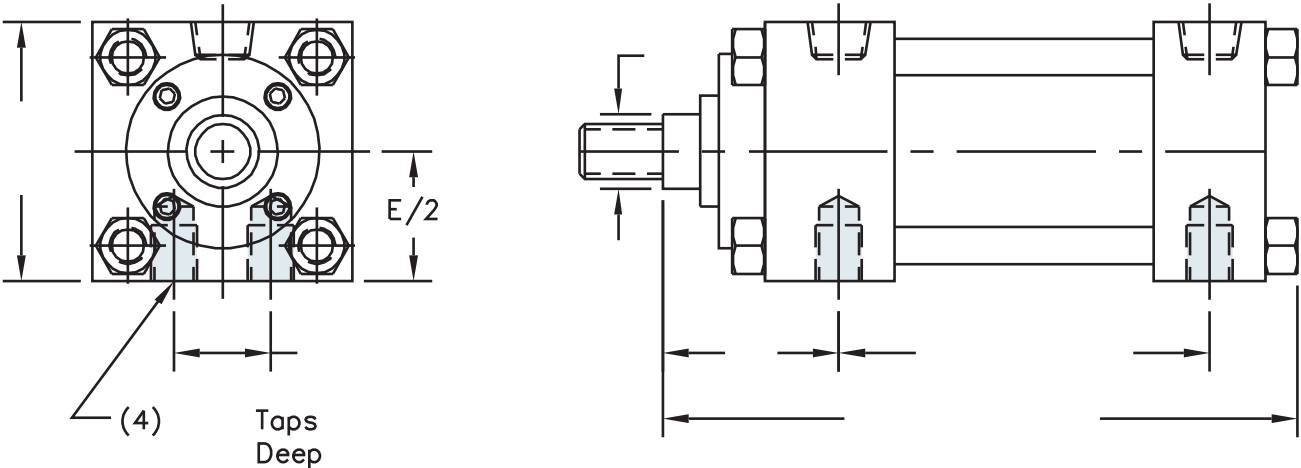
MS2: SIDE LUGS



MS3: CENTER LINE LUGS

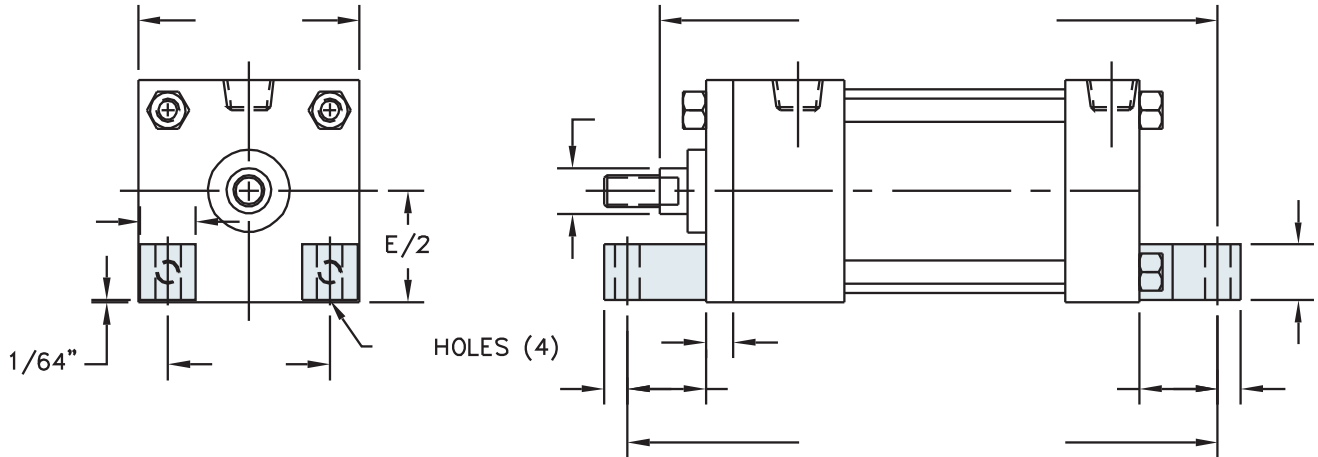


MS4: BOTTOM TAPPED HOLES

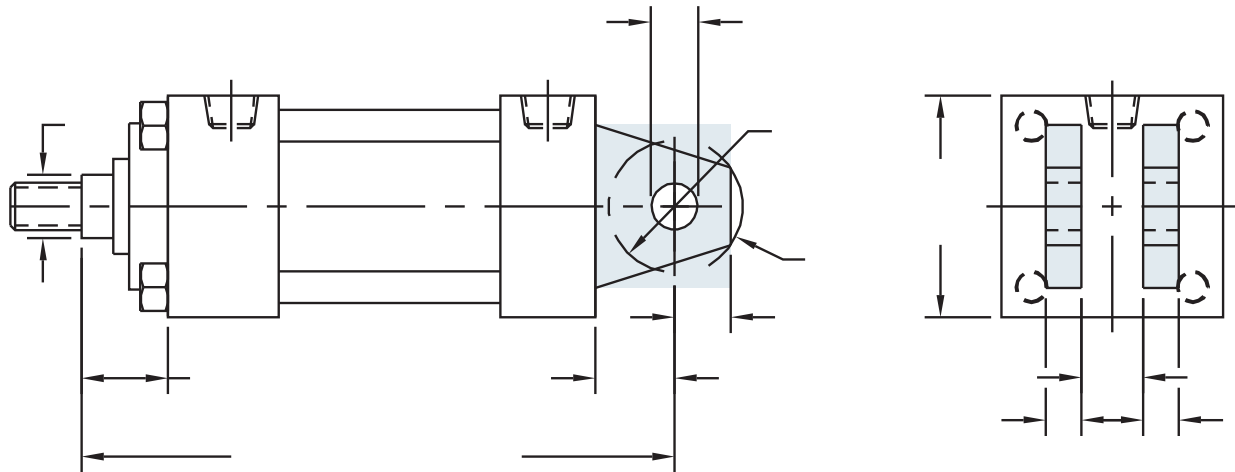


HYDRAULIC CYLINDERS INC.®

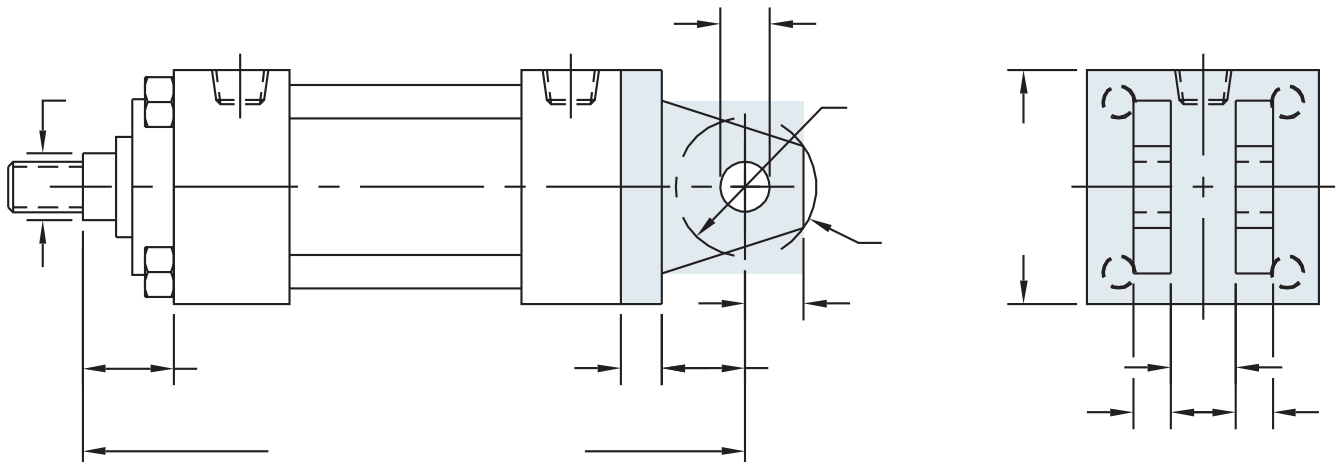
MS7: END LUGS



MP1: REAR PIVOT CLEVIS

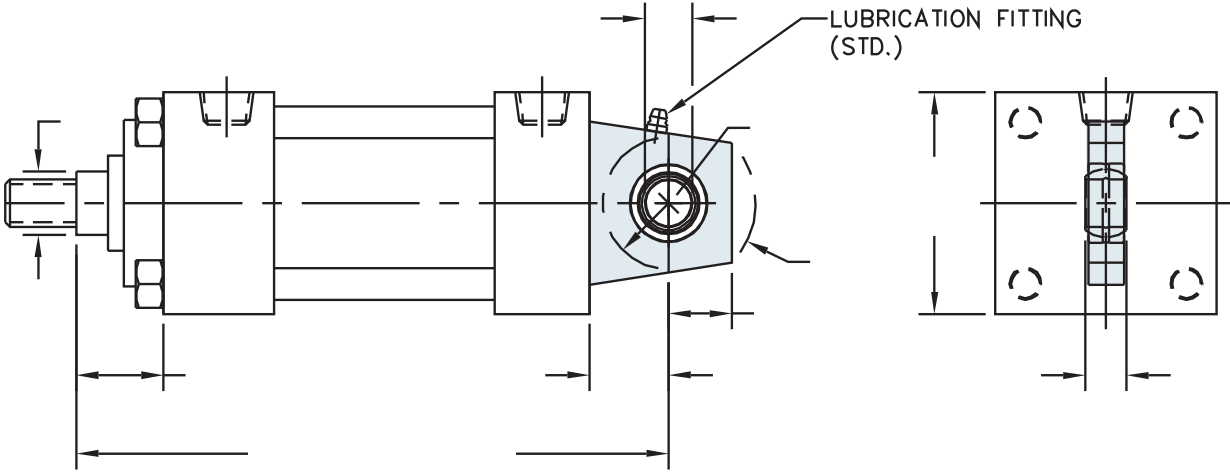


MP2: REAR PIVOT DETACHABLE CLEVIS



HYDRAULIC CYLINDERS INC.®

SB: SPHERICAL BEARING



HYDRAULIC CYLINDERS INC.®

SKETCH
(INCLUDE DIMENSIONS)

