

DATE

/ /

Need help selecting the right cylinder for your application?

Just fill out as much information about your application and contact HYDRAULIC CYLINDERS INC.®.

PHONE: 1-888-771-1894 | **FAX:** 1-888-693-8681 | **EMAIL:** sales@hydrauliccylindersinc.com | **WEB:** HydraulicCylindersInc.com

CUSTOMER

CONTACT

HOW DO YOU WANT TO BE CONTACTED?

PHONE

FAX

EMAIL

DO YOU HAVE A BASIC CYLINDER DESCRIPTION?

BORE

STROKE

MOUNT

OPTIONS

MODIFICATION

CYLINDER OPERATING PRESSURE: PNEUMATIC PSI HYDRAULIC PSI (NON-STOCK)

AMBIENT TEMPERATURE: NORMAL INDOOR INDUSTRIAL COLD: _____ °F HOT: _____ °F

CYLINDER VELOCITY: _____ INCHES/SECOND _____ CYCLES PER MINUTE:

CYLINDER ORIENTATION: HORIZONTAL VERTICAL: ROD UP ROD DOWN ANGLE (DEGREES)

DESCRIBE THE LOAD (INCLUDING WEIGHT). IS THE LOAD GUIDED? HOW IS THE CYLINDER ROD ATTACHED TO THE LOAD? ANY SIDE LOAD?

APPLICATION:

HYDRAULIC CYLINDERS INC.®

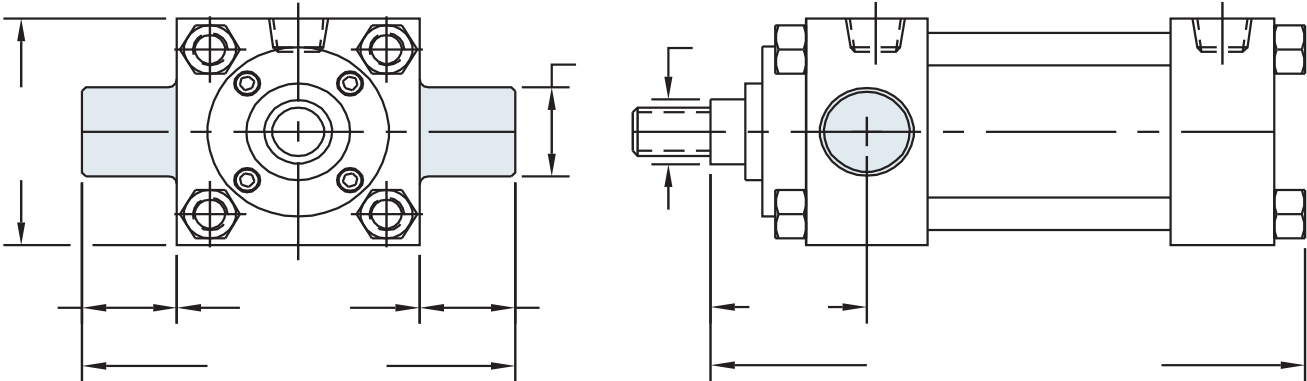
SERIES 'H' DIMENSIONS | BASIC CYLINDER

BORE	ROD DIA. (MM)	MAX PSI RATING	E	A	B	C	EE		F	G	J	K	KK	R	RD	V	Y	ADD TO STROKE		
							NPTF	SAE										LB	P	ZB
1.50	0.625	3000	2.500	0.750	1.124	0.375	1/2	10	0.375	1.750	1.500	0.375	1.625	-	0.250	2.000	4.625	2.938	6.000	
	1.000			1.125	1.499	0.500		8						0.500	2.375	6.375				
2.00	1.000	3000	3.000	1.125	1.499	0.500	1/2	10	0.625	1.750	1.500	0.438	2.050	-	0.250	2.375	4.625	2.938	6.438	
	1.375			1.625	1.999	0.625		8						0.375	2.625	6.688				
2.50	1.000	3000	3.500	1.125	1.499	0.500	1/2	10	0.625	1.750	1.500	0.438	2.550	2.625	0.250	2.375	4.750	3.063	6.563	
	1.375			1.625	1.999	0.625								-	0.375	2.625			6.813	
	1.750			2.000	2.374	0.750								-	0.500	2.875			7.063	
3.25	1.375	3000	4.500	1.625	1.999	0.625	3/4	12	0.750	2.000	1.750	0.563	3.250	3.250	0.250	2.750	5.500	3.500	7.688	
	1.750			2.000	2.374	0.750								-	0.375	3.000			7.938	
	2.000			2.250	2.624	0.875								-	0.375	3.125			8.063	
4.00	1.750	3000	5.000	2.000	2.374	0.750	3/4	12	0.875	2.000	1.750	0.563	3.820	3.875	0.250	2.938	5.750	3.875	8.188	
	2.000			2.250	2.624	0.875								4.250	0.250	3.063			8.313	
	2.500			3.000	3.124	1.000								-	0.375	3.313			8.563	
5.00	2.000	3000	6.500	2.250	2.624	0.875	3/4	12	0.875	2.000	1.750	0.813	4.950	4.250	0.250	3.125	6.250	4.250	9.063	
	2.500			3.000	3.124	1.000								4.625	0.375	3.375			9.313	
	3.000			3.500	3.749	1.000								5.250	0.375	3.375			9.313	
	3.500			3.500	4.249	1.000								-	0.375	3.375			9.313	
6.00	2.500	3000	7.500	3.000	3.124	1.000	1	16	0.875	2.250	2.250	0.875	5.730	4.625	0.375	3.500	7.375	5.000	10.500	
	3.000			3.500	3.749				0.875					5.250	0.375					
	3.500			3.500	4.249				0.875					5.625	0.375					
	4.000			4.000	4.749				1.000					6.438	0.250					
8.00	3.500	3000	9.500	3.500	4.249	1.000	1 1/2	24	0.875	3.000	3.000	1.250	7.500	5.625	0.375	3.938	9.500	6.313	13.000	
	4.000			4.000	4.749				1.000					6.438	0.250					
	4.500			4.500	5.249				1.000					7.125	0.250					
	5.000			5.000	5.749				1.000					7.625	0.250					
	5.500			5.500	6.249				1.000					8.375	0.250					

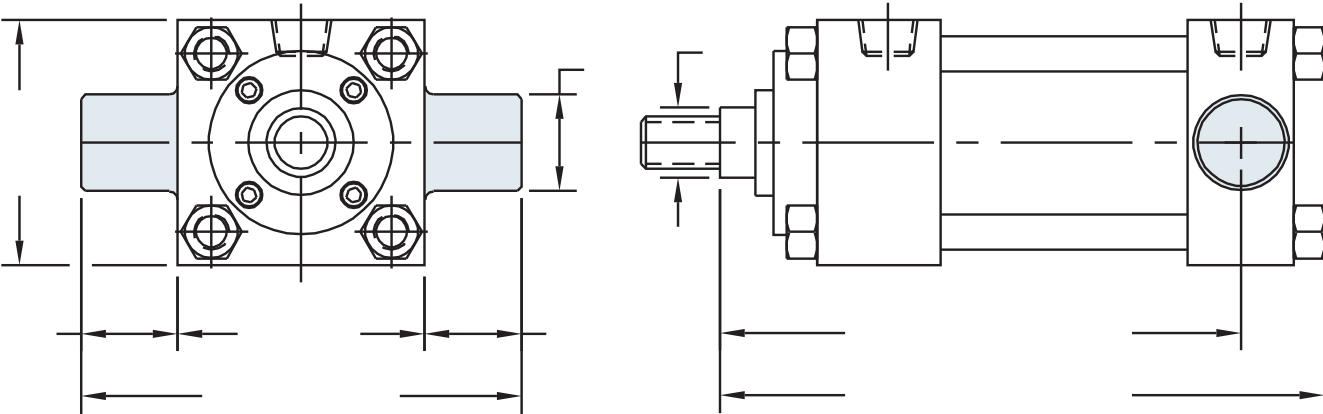
SEE ROD END DETAIL CHART ON PREVIOUS PAGE

HYDRAULIC CYLINDERS INC.®

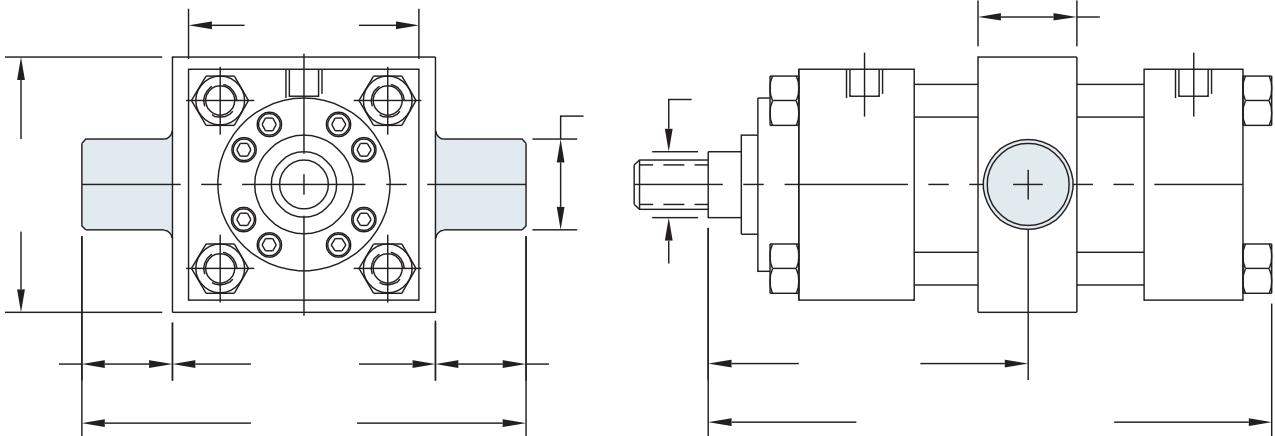
MT1: HEAD TRUNNION



MT2: CAP TRUNNION

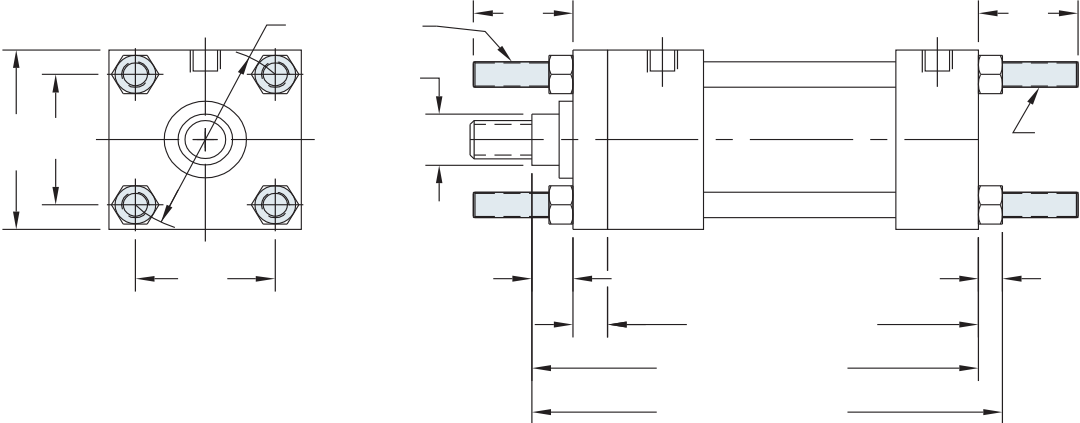


MT4: INTERMEDIATE TRUNNION

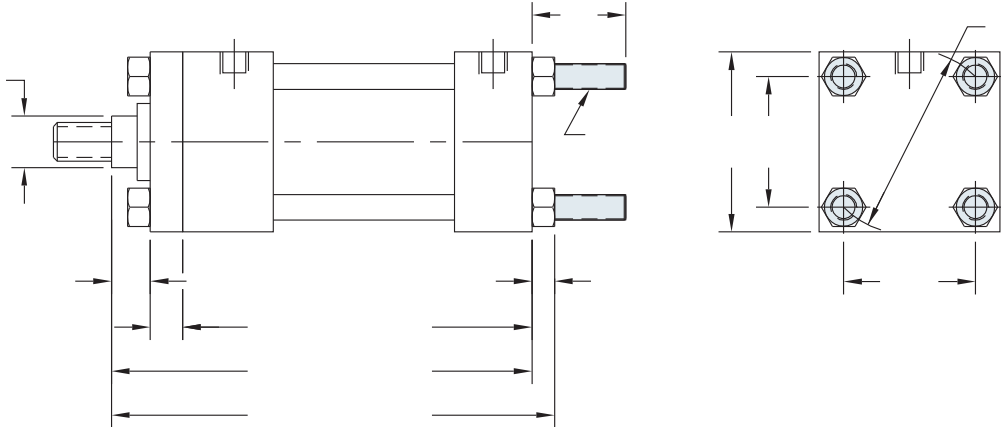


HYDRAULIC CYLINDERS INC.®

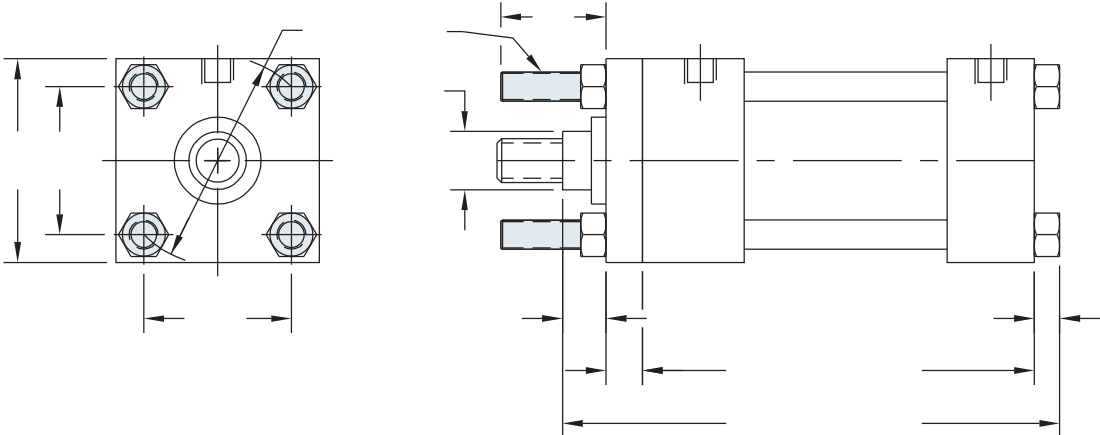
MX1: EXTENDED TIE-RODS - HEAD & CAP



MX2: EXTENDED TIE-RODS - CAP END

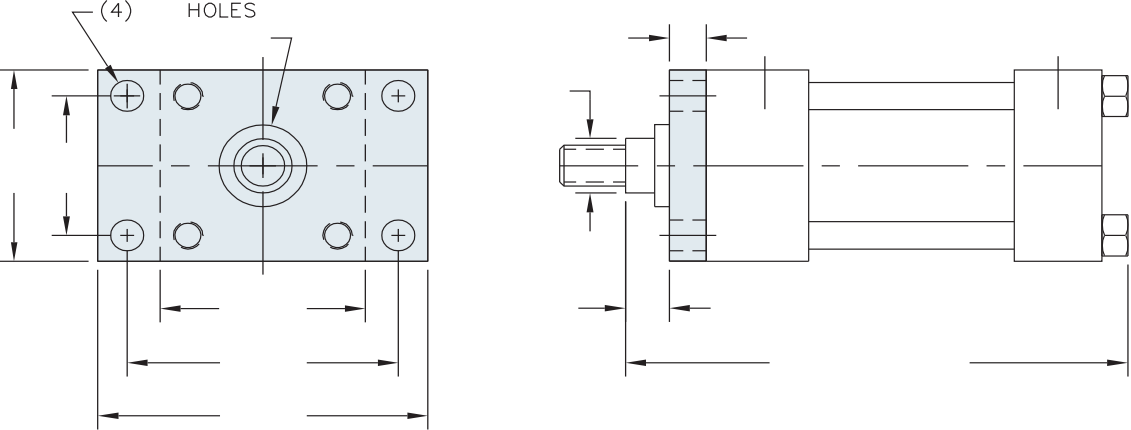


MX3: EXTENDED TIE-RODS - HEAD END

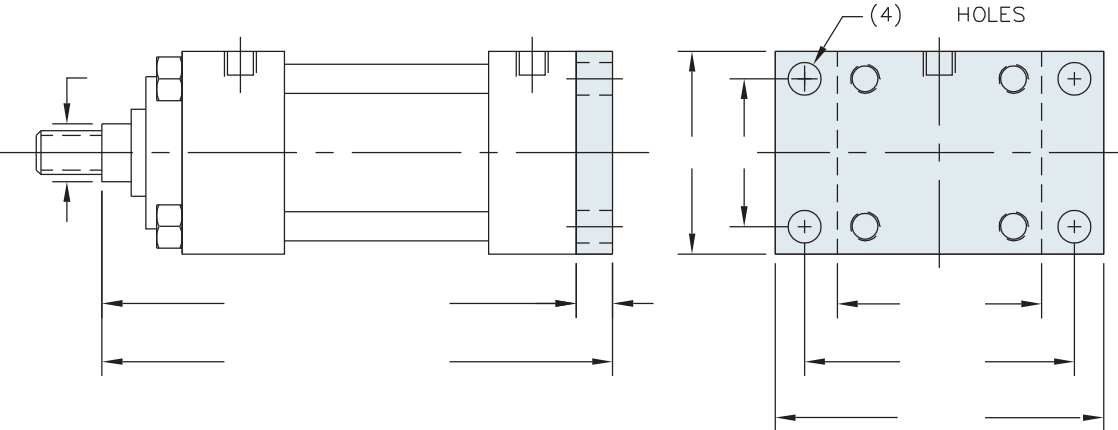


HYDRAULIC CYLINDERS INC.®

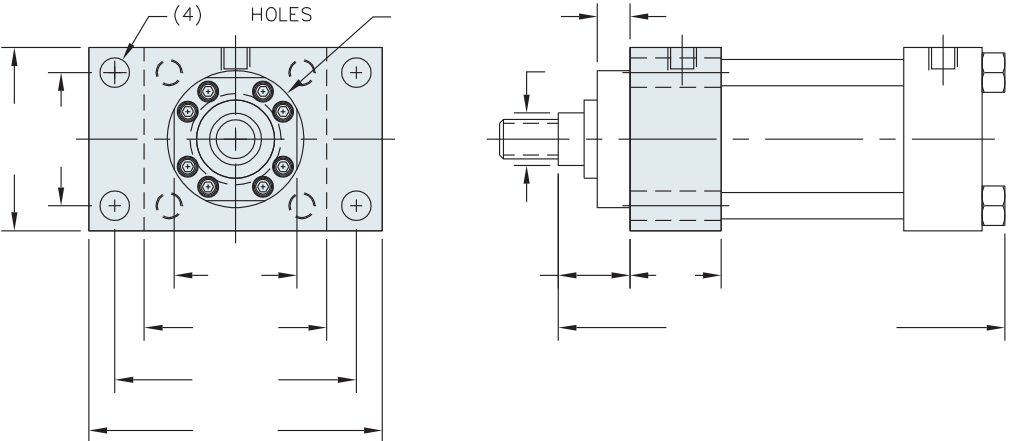
MF1: HEAD FLANGE



MF2: CAP FLANGE

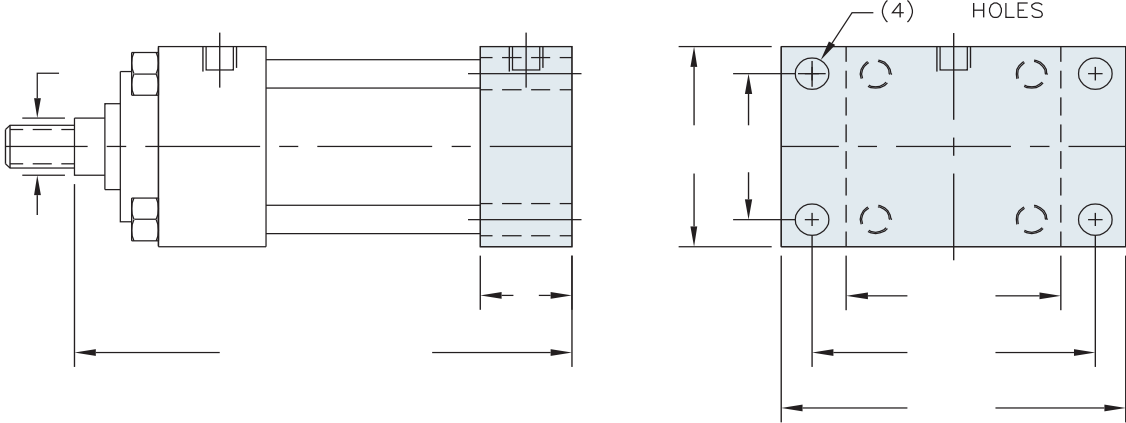


ME5: HEAD RECTANGULAR MOUNTING HOLES

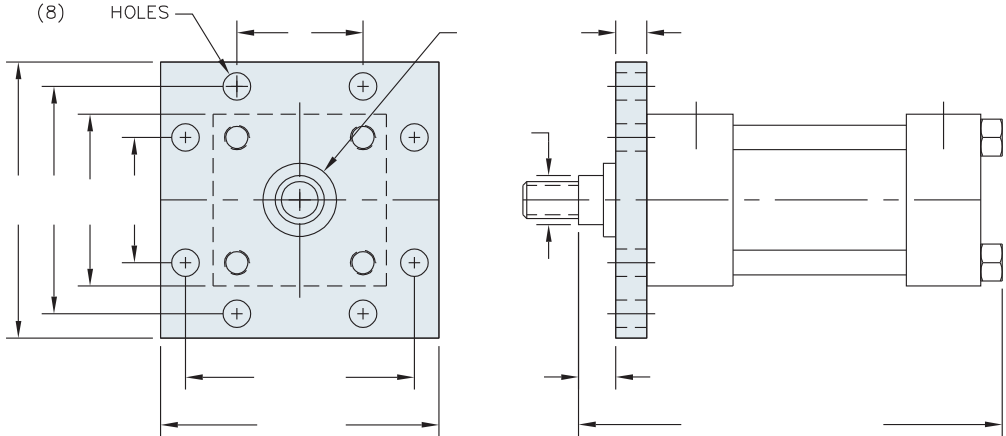


HYDRAULIC CYLINDERS INC.®

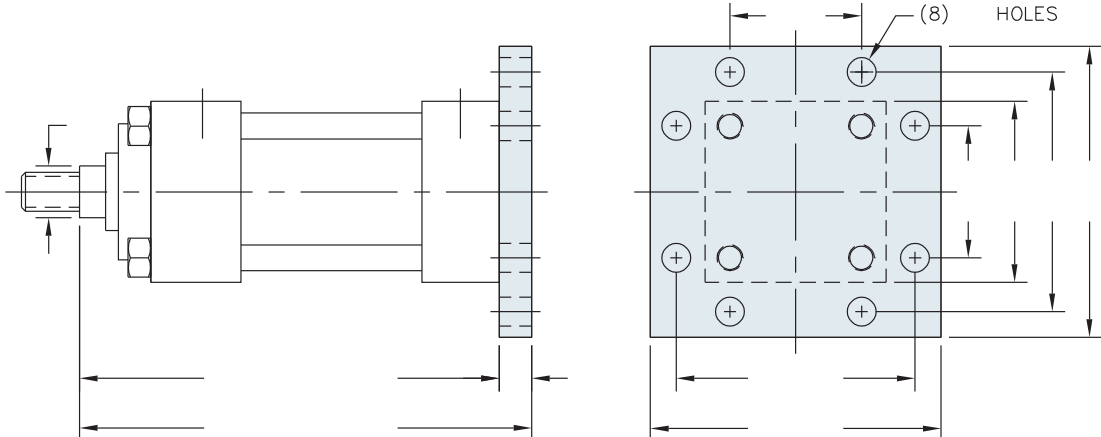
ME6: CAP RECTANGULAR MOUNTING HOLES



MF5: HEAD SQUARE FLANGE

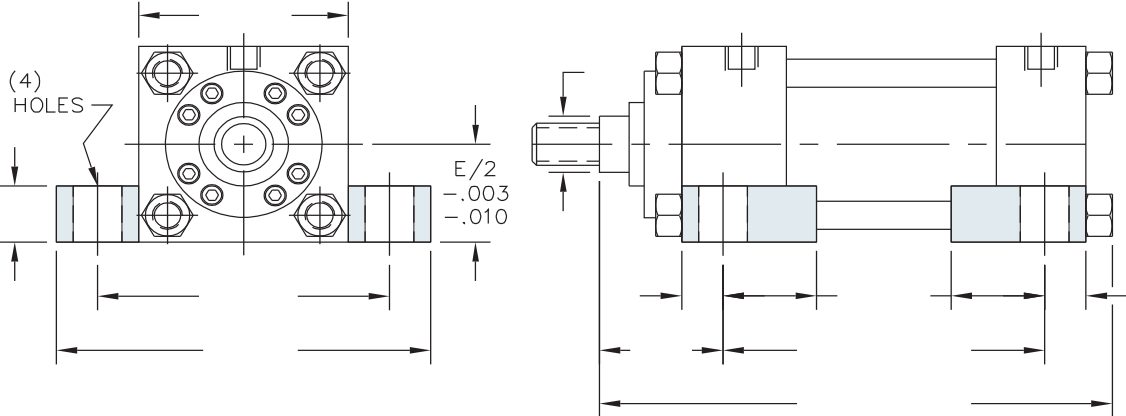


MF6: CAP SQUARE FLANGE

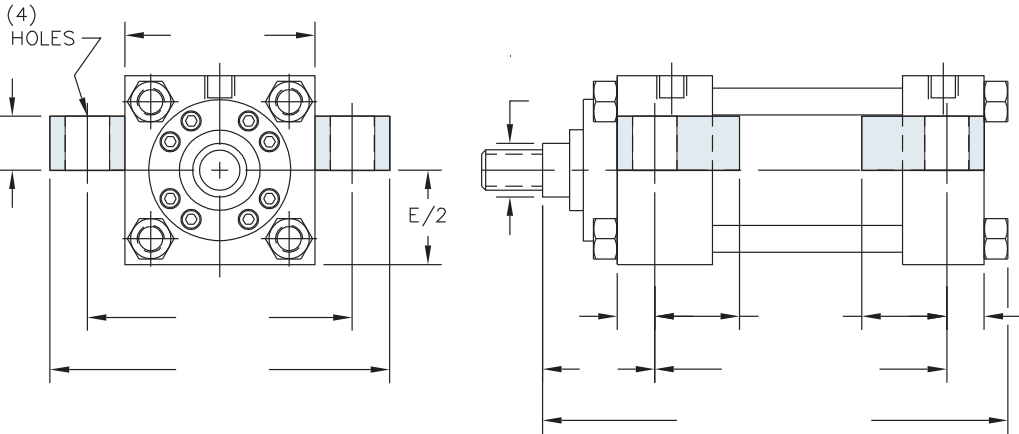


HYDRAULIC CYLINDERS INC.®

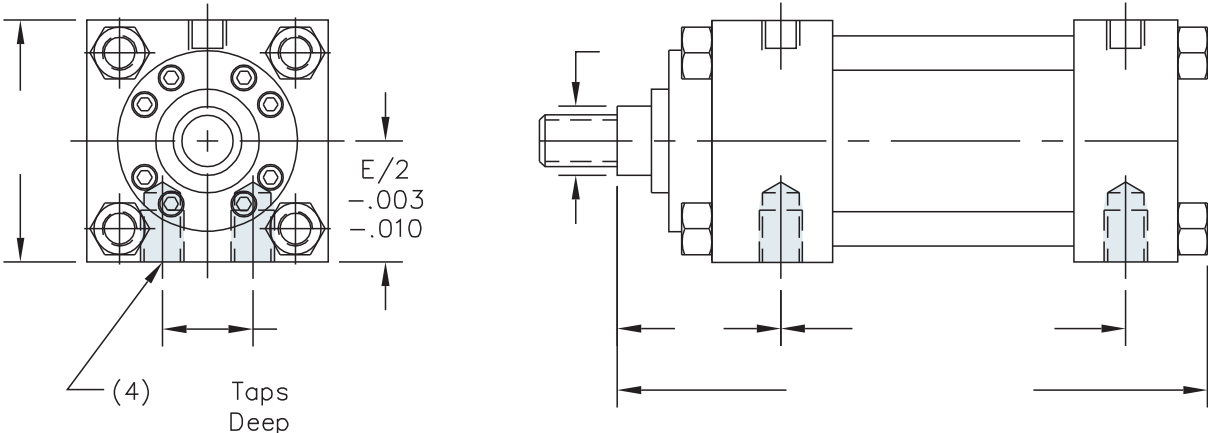
MS2: SIDE LUGS



MS3: CENTER LINE LUGS

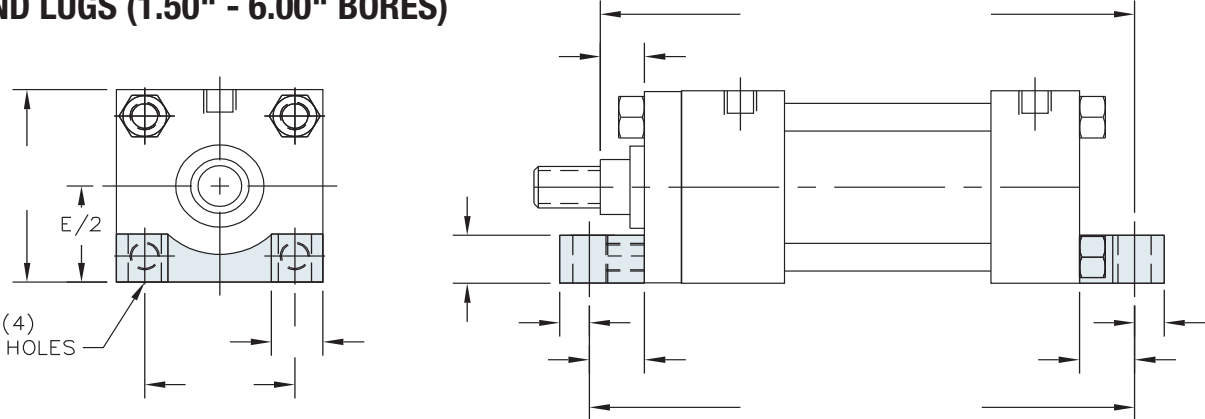


MS4: BOTTOM TAPPED HOLES

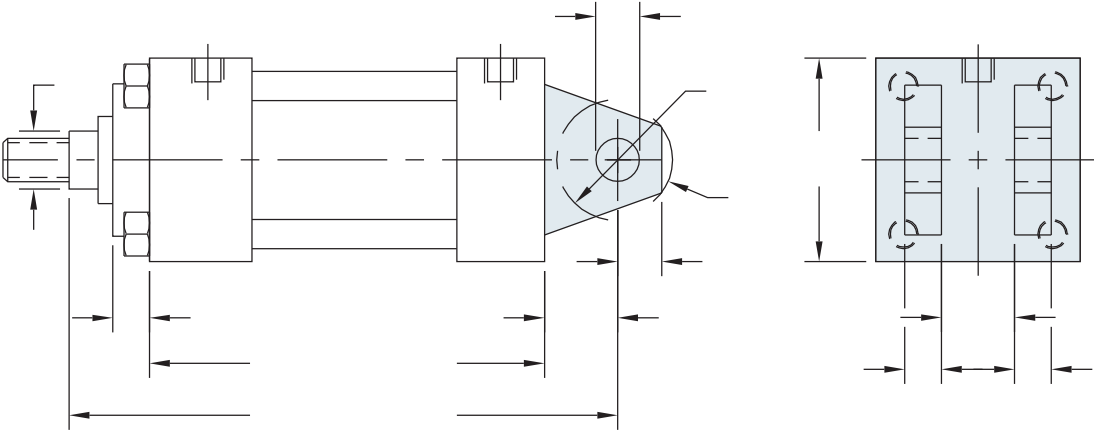


HYDRAULIC CYLINDERS INC.®

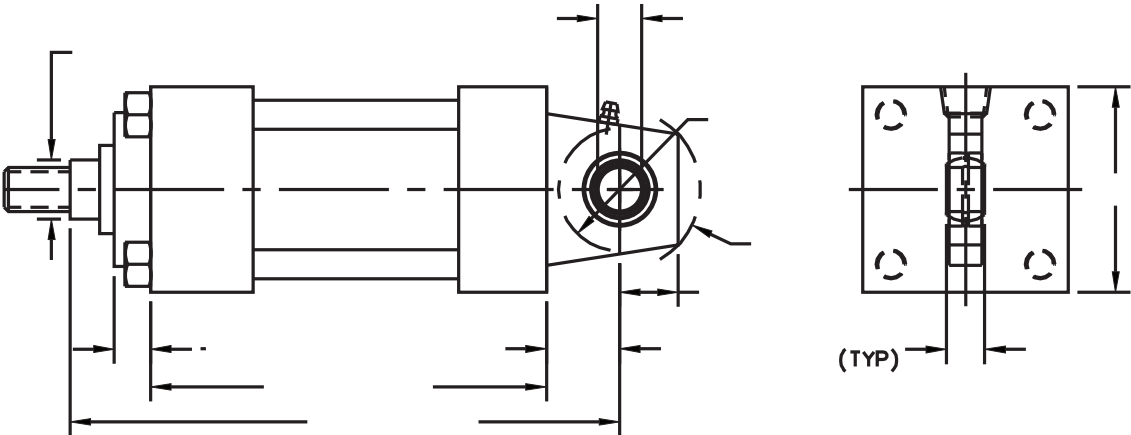
MS7: END LUGS (1.50" - 6.00" BORES)



MP1: REAR PIVOT CLEVIS



SPHERICAL BEARING MOUNT



HYDRAULIC CYLINDERS INC.®

SKETCH
(INCLUDE DIMENSIONS)



